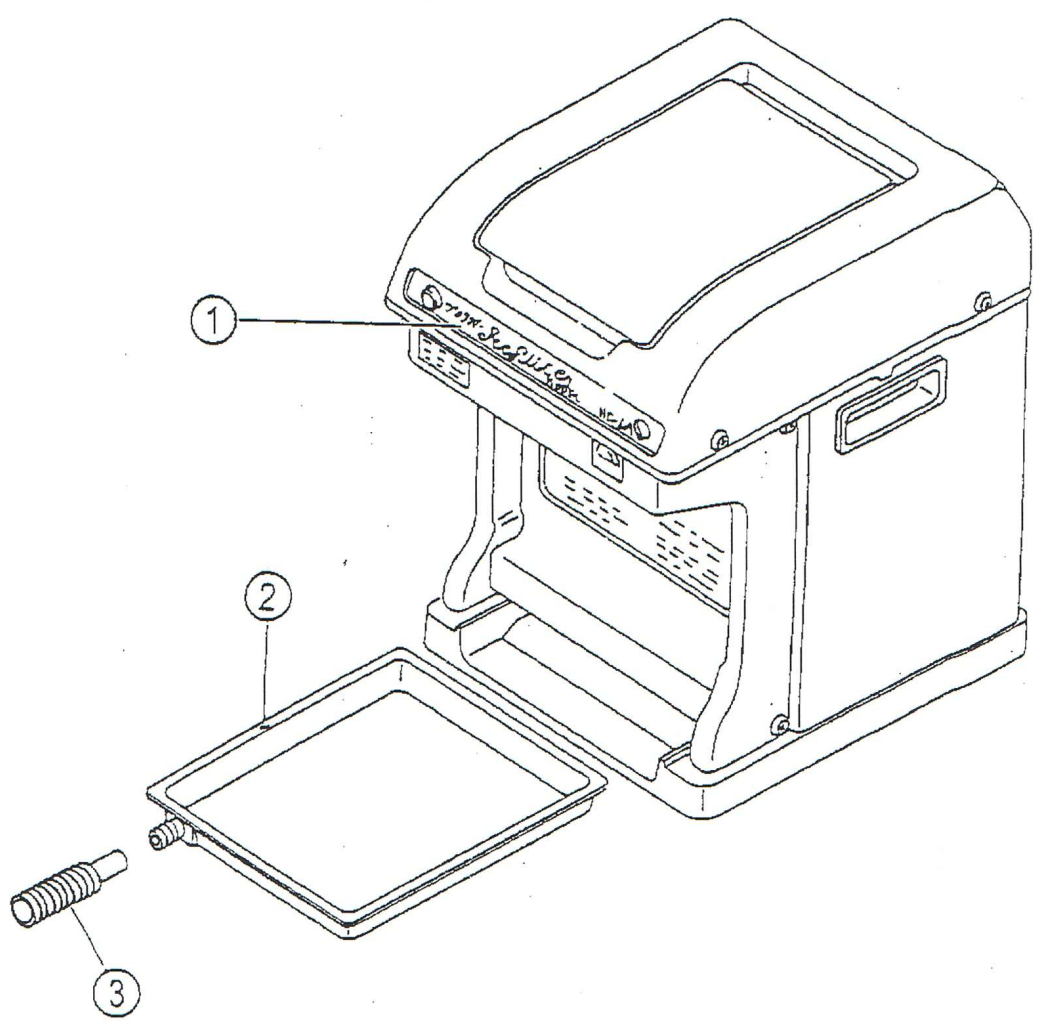
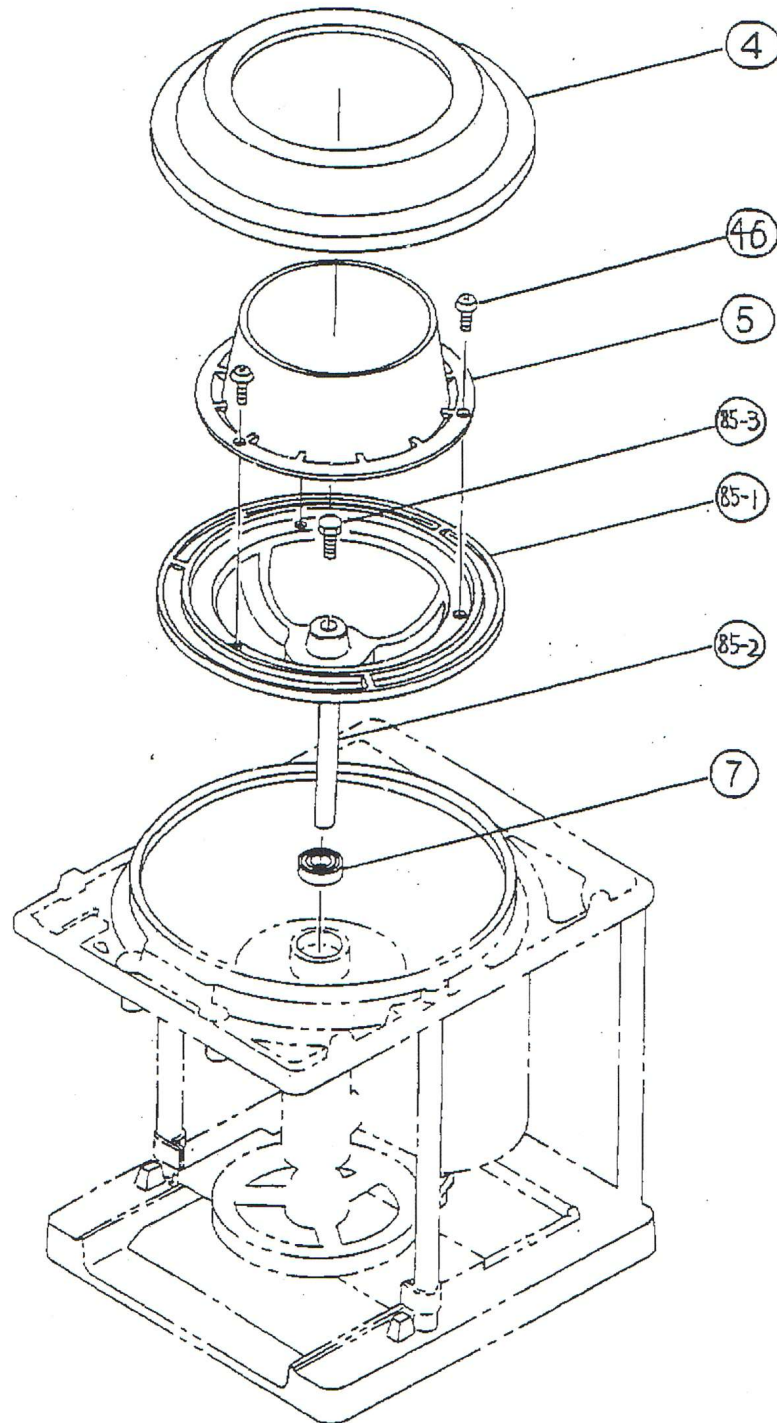


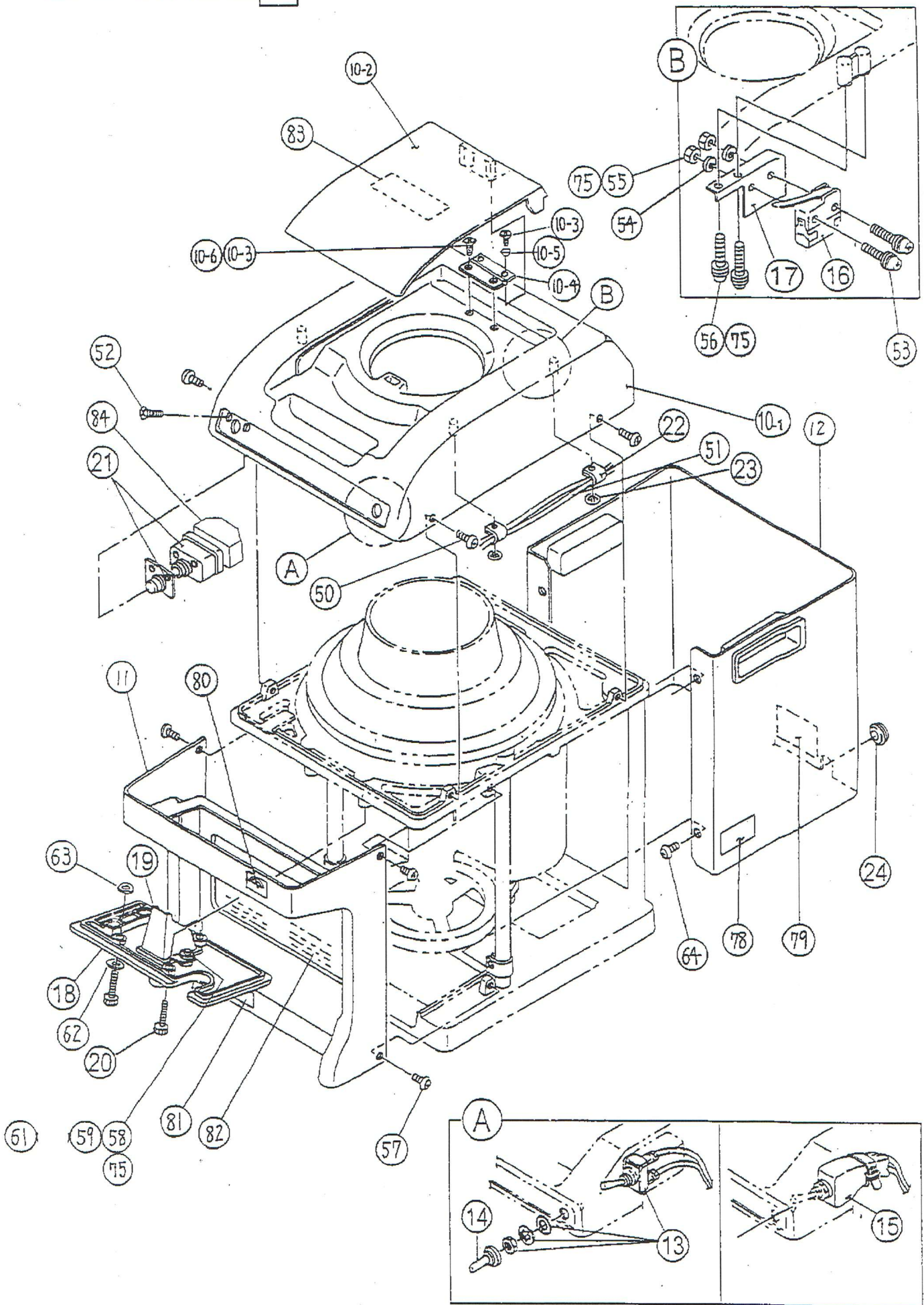
■組立構造図1



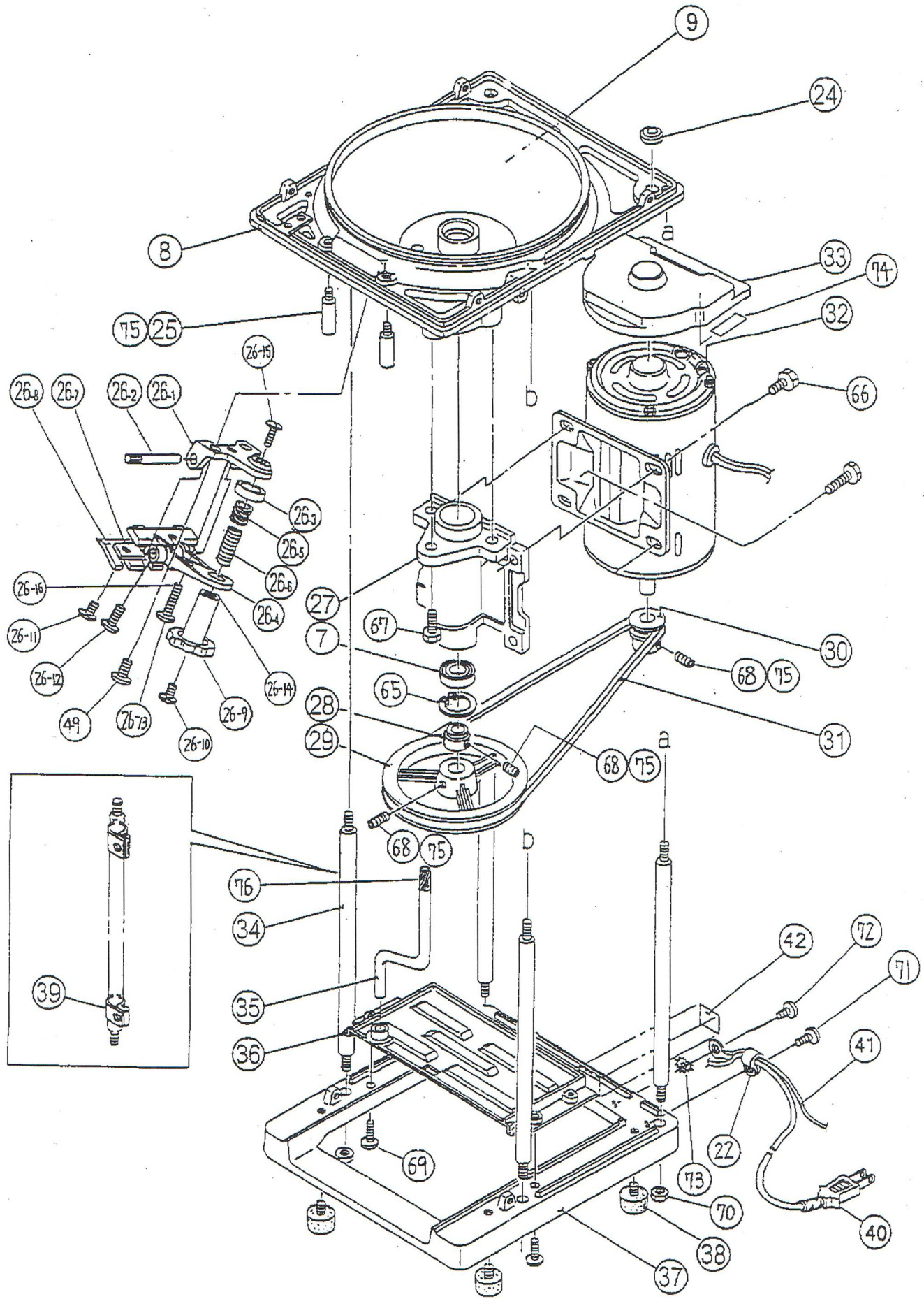
組立構造図 2



組立構造図 3



組立構造図 4



HC-6B

Part no.

1	Front Label
2	Drip Tray
3	Accordion hose
4	Water protection lid
5	Rotaly hopper
7	Bearing
8	Conical case
9	Heat insulation
10	Head cover unit
11	Front cover with label
12	Side cover
13	Power switch
14	Switch water proof cap
15	Switch water proof cover
16	Microswitch
18	Ice chute fixing plate
19	Ice chute
20	Screw
21	Protector (115V)
22	Cable clamp
24	Cord bush
25	Adaptor
26	Blade assembly
26-1	Blade bracket
26-2	Blade bracket shaft
26-3	One touch collar
26-4	Blade holder
26-5	Blade adjustment spring
26-6	Blade adjustment bolt
26-7	Blade fixing plate
26-8	Blade
26-9	Blade adjusting knob
27	Motor led holder
28	Shaft stopper
29	Large pulley
30	Motor pulley
31	Belt
32	Motor (115V)
33	Motor cover
34	Supporter
35	Drain pipe
36	Tray guard
37	Body bed
38	Rubber foot
39	Cover fixing band
40	Power cord
42	Earth label
84	Protector water-proof-cover